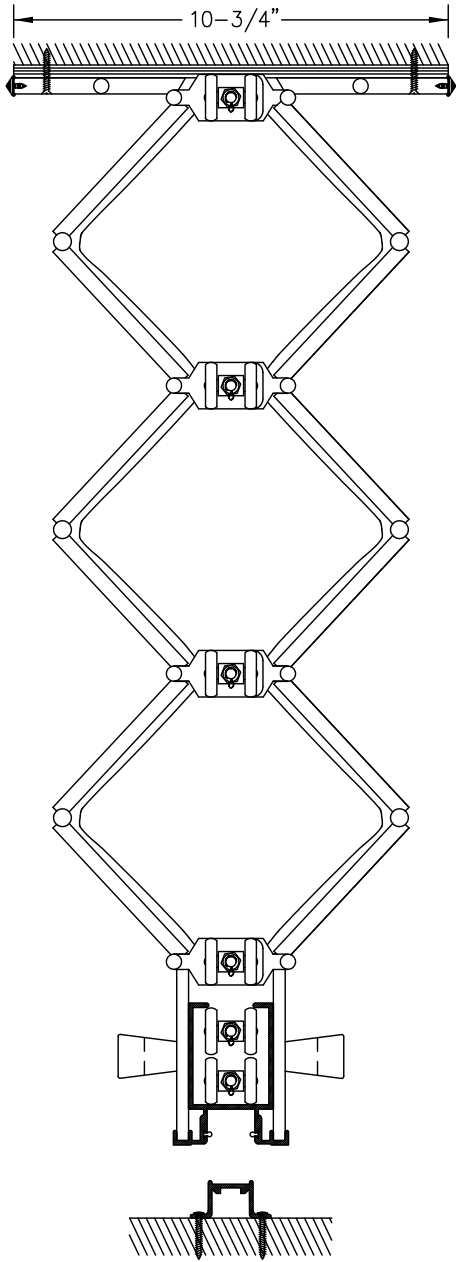
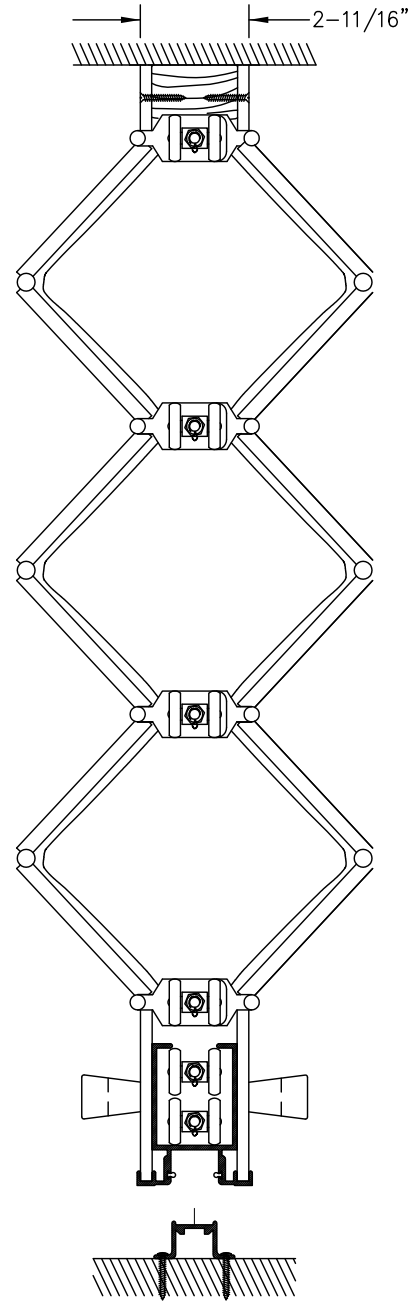


Mounting Panel Options

Flush Jamb Panel (Specify)



Post Jamb Panel (Specify)



CAD MPAN3300