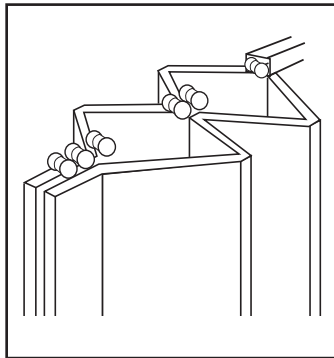


PRODUCT BRIEF



FEATURES.

ANC-88, with twin 8" (203) wide laminated wood panels, feature Memory Action® vinyl hinges, aluminum track, ball-bearing wheels, positive latches and manual or electrical operation. Heights to 18'1" (5512).

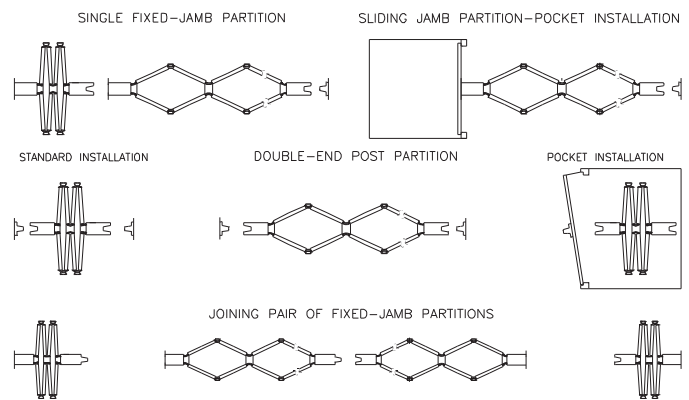
ACOUSTICAL PERFORMANCE.

ANC-88 wood accordion partitions have attained ratings of STC 44, STC 42, and an N.R.C. rating of .70.

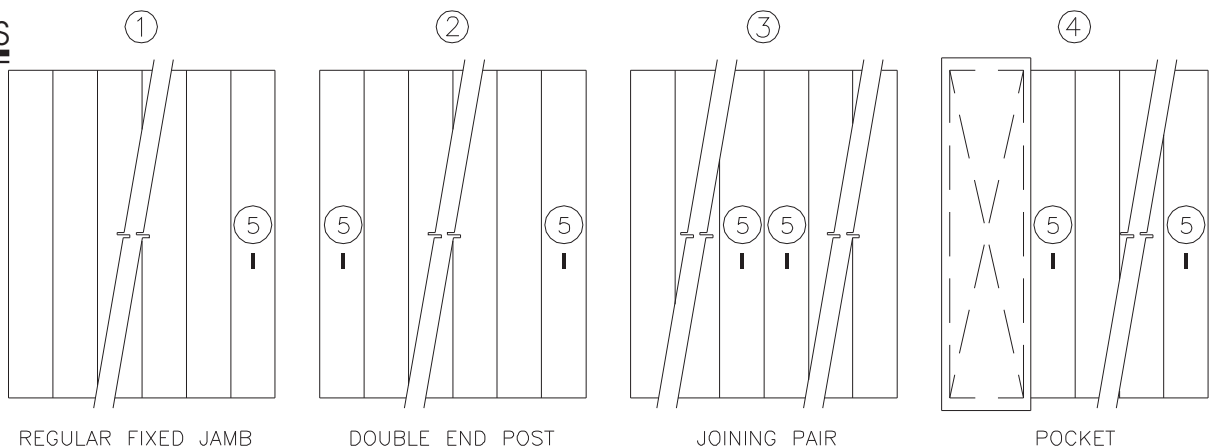
PANEL FINISHES. A full range of vinyl, wood veneers, panel fabric, wall carpet and high pressure plastic laminate is offered. Color selectors are available.

TYPES OF APPLICATIONS

See pages 2 - 5 for details.



ELEVATIONS



APPLICATIONS DESCRIPTIONS

See page 6 for Product Specifications

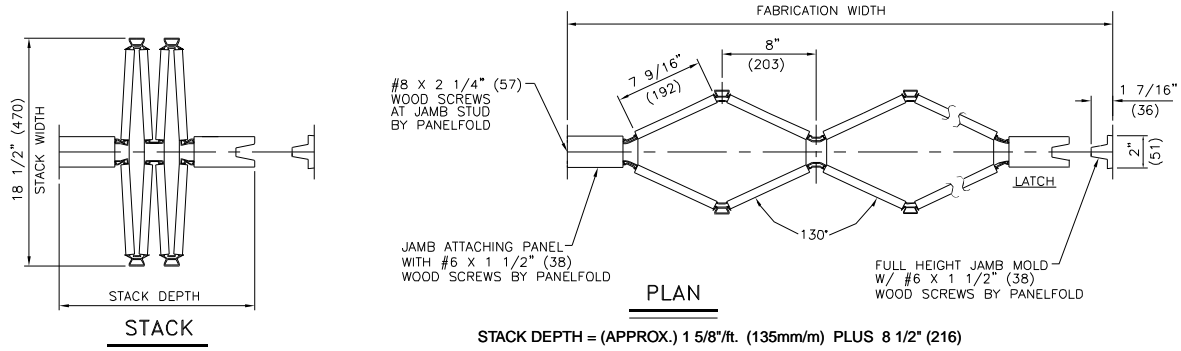
- ① REGULAR FIXED-JAMB partitions may be permanently attached at either jamb for single openings. If security features are to be used, either right-hand or left-hand stack should be specified with the security type (cylinder, privacy turn or emergency release) to be installed on the face or reverse side of the partitions indicated on the drawings.
- ② DOUBLE END POST partitions may be latched at both jambs and may be stacked at either end of the opening. Double End Post partitions may be used for single openings; joining pairs; or for multiple units in one opening. Double End Post partitions can be pocket recessed and must be specified if curved switches are installed.
- ③ JOINING PAIR OF FIXED-JAMB partitions may be permanently attached at both jambs for single openings.
- ④ POCKET RECESSED partitions may be supplied with a Double End Post or a Sliding Jamb for single openings or for joining pairs of partitions.
- ⑤ SECURITY FEATURES may be installed to prevent opening of the partitions with keyed cylinders (standard or optionally master-keyed), privacy turns or emergency (coin-slot) releases.

FURTHER INFORMATION. All dimensions shown in parentheses are millimeters. Scale N.T.S.

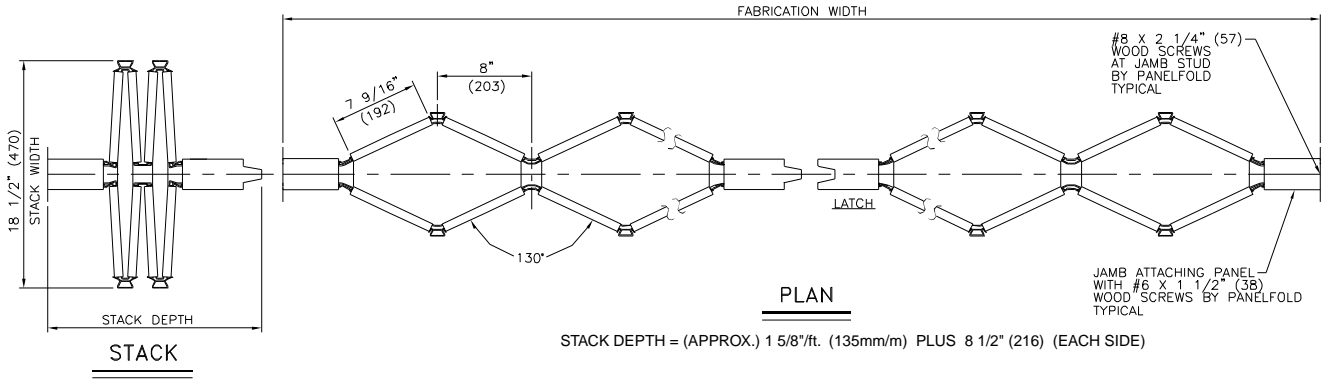
Acoustical Folding Partitions ANC-88

APPLICATIONS DETAILS

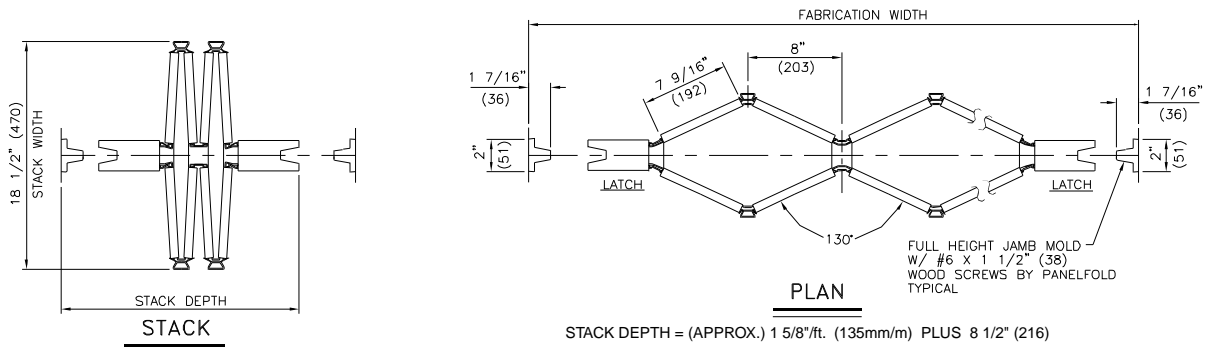
Single Fixed-Jamb Partition



Joining Pair Of Fixed-Jamb Partitions



Double-End Post Partition

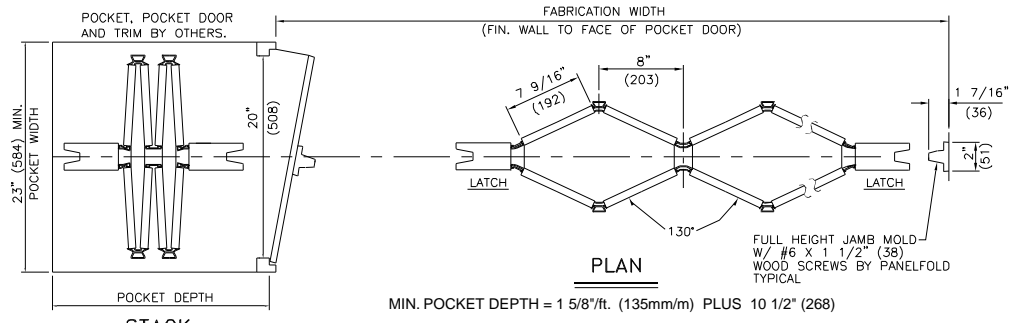


All dimensions shown in parentheses are millimeters. Scale: N.T.S.

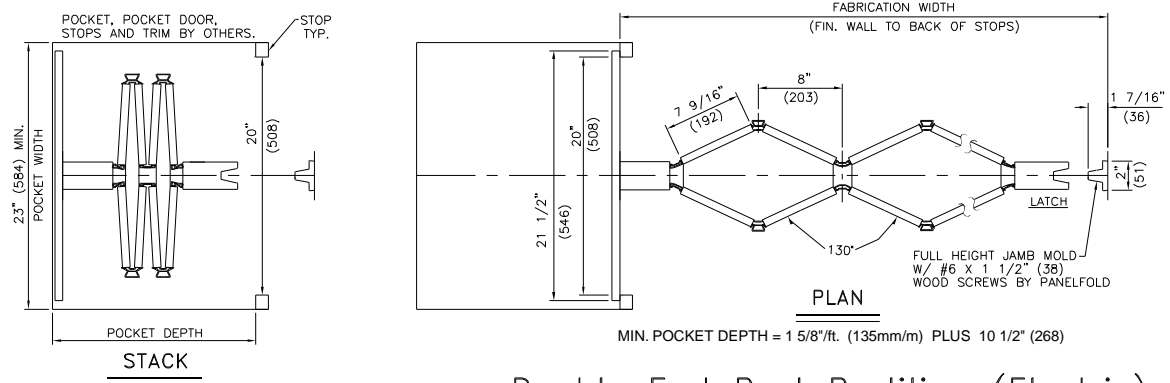
Acoustical Folding Partitions

APPLICATIONS DETAILS

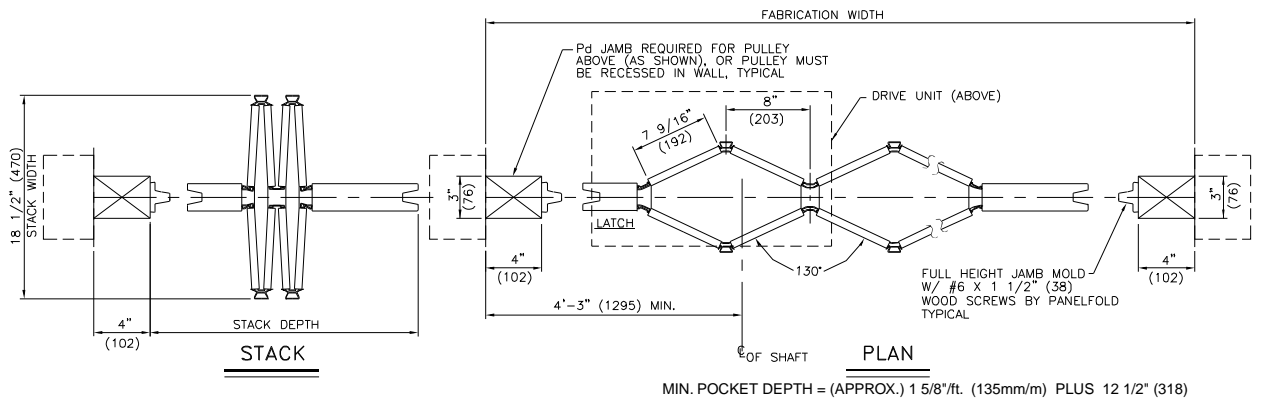
Double End Post Partition-Pocket Installation



Sliding Jamb Partition-Pocket Installation



Double End Post Partition (Electric)

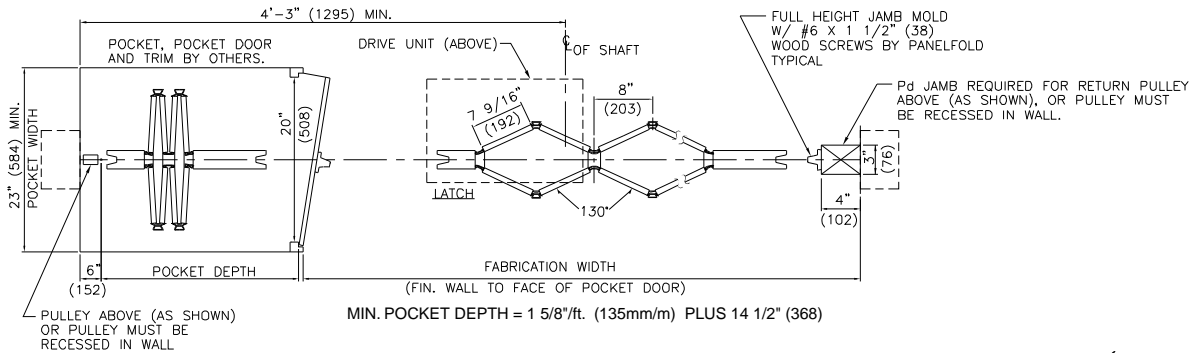


All dimensions shown in parentheses are millimeters. Scale: N.T.S.

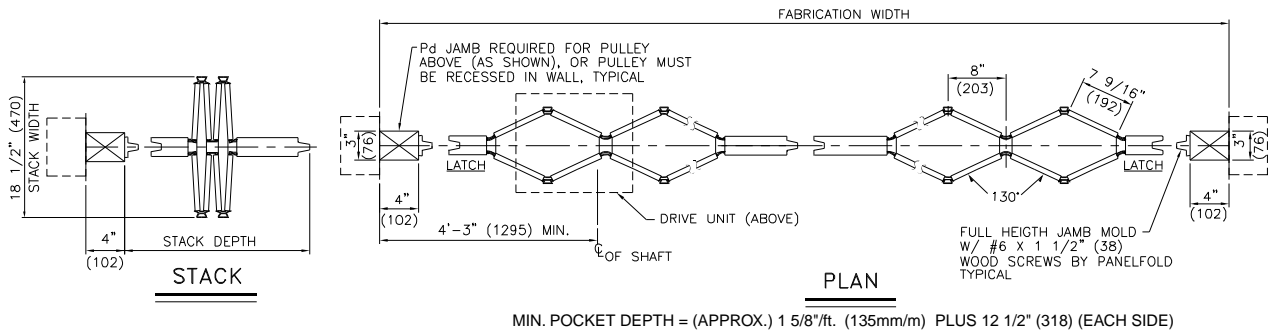
Acoustical Folding Partitions

APPLICATIONS DETAILS

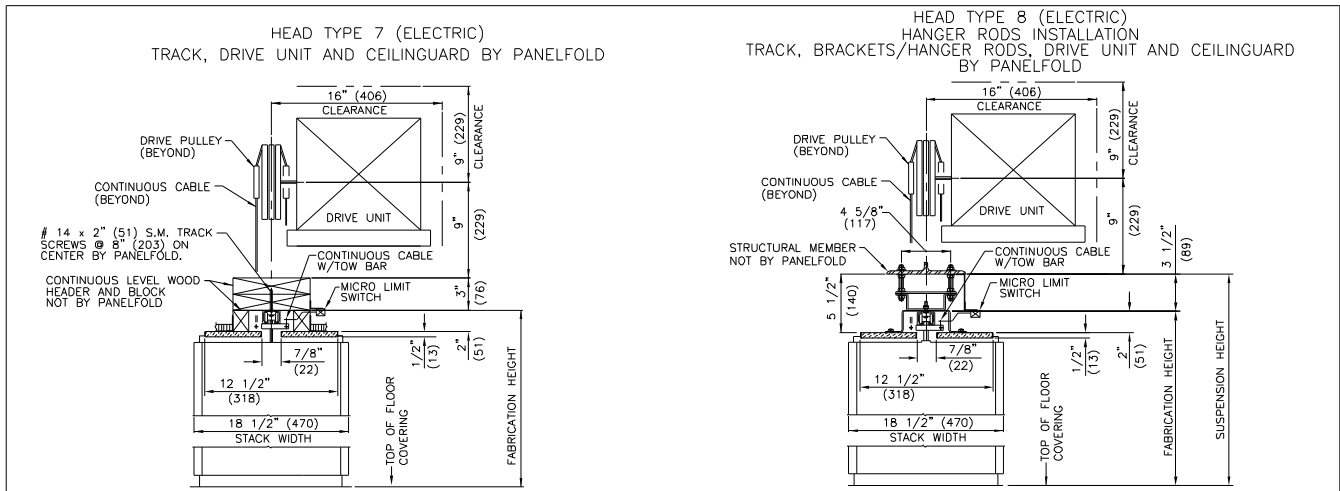
Double End Post Partition-Pocket Installation (Electric)



Joining Pair Of Double End Post Partitions (Electric)



VERTICAL SECTION-HEAD DETAILS-ELECTRIC OPERATION

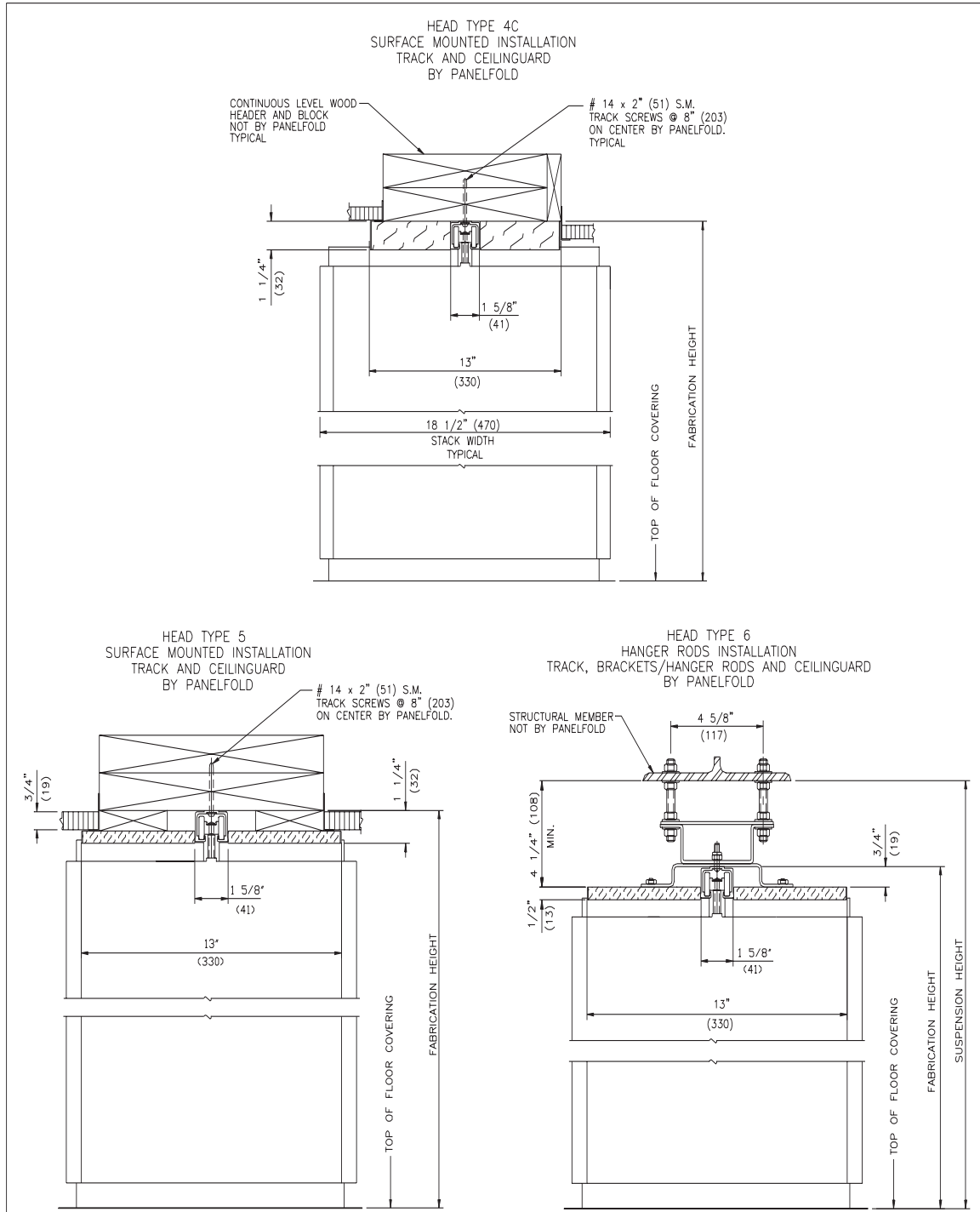


All dimensions shown in parentheses are millimeters. Scale: N.T.S.

ANC-88®

Acoustical Folding Partitions

VERTICAL SECTION—HEAD DETAILS—MANUAL OPERATION



All dimensions shown in parentheses are millimeters. Scale: N.T.S.

ANC-88®

PRODUCT SPECIFICATIONS: SECTION 10650 - ACOUSTICAL FOLDING PARTITIONS

PART 1 GENERAL

(Scope, Related Work, References, Submittals and Delivery/Handling paragraphs per project requirements.)

PART 2 PRODUCTS

2.1 ACOUSTICAL ACCORDION folding partitions shall be (specify: manually; or electrically operated) ANC-88 as manufactured by Panelfold, Inc., Miami, Florida USA and installed by an authorized representative in openings prepared by others to Sonicwal requirements.

2.2 TWIN WALL PARTITION PANELS shall be bolted to 16 gauge steel panel support brackets and suspended from the steel yoke hinged at the brackets. Multi-fingered extruded vinyl Sonicsweep seals shall be installed top and bottom both sides of the partition and shall be field adjustable.

2.3 END POSTS shall have deep nesting aluminum nose with dual vertical sound seals and shall be equipped with Gripulls, latches and aluminum jamb moulds (specify: bronze ESP or natural anodized).

2.4 TRACK AND HANGERS: Track shall be extruded aluminum. Four ball-bearing wheels shall be installed on each volute and a minimum of six shall be installed on each end post.

2.5 PANEL SURFACES: Panels shall be specially laminated engineered wood core, bonded with water-resistant, plastic glue and surfaced with one of the following (colors to be selected from manufacturer's standards):

2.5.1 Woodtex® wood grain vinyl, Class A flame spread.

2.5.2 Startex™ solid color vinyl, Class A flame spread.

2.5.3 Fabrictex® fabric textured vinyl, Class A flame spread.

2.5.4 Ropetex® rope textured vinyl, Class A flame spread.

2.5.5 Genuine wood veneer shall be (specify: clear lacquer finished; unfinished, sanded ready for field finishing by others; factory specially finished to match owner's submitted sample) species as specified: White Ash; Red Oak; Natural Birch; White Maple; or American Walnut.

2.5.6 High pressure plastic laminate, vertical grade.

2.5.7 Ribtex® vertical rib wall carpet, Class A flame spread.

2.5.8 Woventex® polyolefin panel fabric, Class A flame spread.

2.5.9 Maharam Tekwall® 1000® polyolefin panel fabric, Class A flame spread.

2.6 DECORATIVE ACCENTS: Optional carved design shall be provided (specify: one; or both sides).

2.7 ACOUSTICAL RATING as tested by an independent acoustical laboratory in accordance with ASTM E-90-85 test procedures in a full scale 14'0" (4267) by 9'3" (2819) opening shall be (specify: STC 44; or STC 42). Optional N.R.C. .70, STC 42 partitions shall be supplied where indicated on the plans (specify: one or both sides).

2.8 CONNECTOR HINGES: Panels shall be hinged and edge sealed to reduce sound, light and air transmission with heavy duty dual-wall, flame-resistant, extruded vinyl. Hinges shall be securely locked into and protect the panel edges. They shall provide "Memory-Action" causing panels to extend and stack equally, smoothly and quietly. Colors from manufacturer's selector.

2.9 TRIM: Optional Ceilingguard head trim shall be supplied.

2.10 HARDWARE: Security units shall be as specified: Privacy lock one side only; cylinder lock one side only; Cylinder lock one side, privacy lock other; Cylinder lock two sides. Master-keyed cylinder lock by others shall be installed in lieu of regularly furnished cylinder.

2.11 FIRE RETARDANCY: Optional. Panels shall be made up of fire retardant cores (ASTM E84-70 laboratory tunnel tested with 20 flame spread, 15 fuel contributed, 15 smoked developed).

2.12 CURVED TRACK, SWITCHES AND MULTIPLE MEETING POSTS: Furnish to effect room division as detailed on the plans. Minimum radius 3'0" (914mm).

2.13 STACK FORMULA: (Approximately) 1-5/8"/ft. (135mm/m) + 8-1/2" (216mm), manually operated. Add 4" (102mm) for electrical operation.

2.14 HANGING WEIGHT: (Approximately) STC 44, 7.3 lbs/ft² (36kg/m²); STC 42, 6.7 lbs/ft² (33kg/m²).

PART 3 EXECUTION

(See Project Specifications Guide for Execution, Inspection, Preparation, Installation, Cleaning and Demonstration paragraphs.)

NOTE: The ASTM - 84 procedure Class A flame spread and other test results referenced herein are for comparison purposes only and are not intended to reflect hazards presented by this or any other materials under actual fire conditions.