

INSTALLATION INSTRUCTIONS - READ CAREFULLY

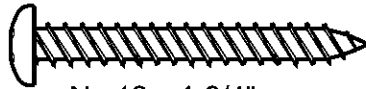
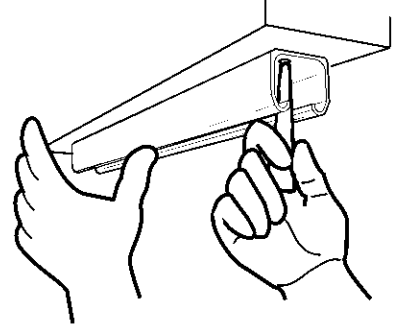
Tools Required: Electric Drill, Phillips Head Screwdriver (bit), Hacksaw, Flat Blade Screwdriver, Caulking Gun.

SECTION 1

Installation of Single Partitions:

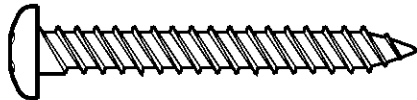
Partition track is prepunched
8"(203.2mm) centers for heights
thru **12'-1"(3683mm)**; and
4"(101.6mm) centers for heights
over **12'-1"(3683mm)**.

Panhead sheet metal screws are
furnished:
For track type "A"

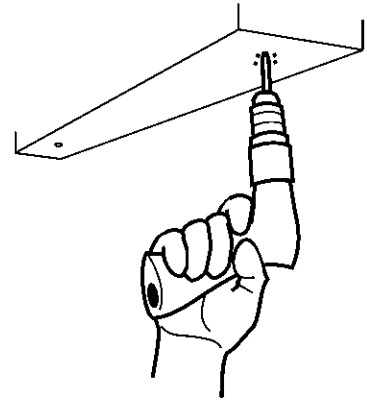


No. 12 x 1-3/4"
Pan Head Screw

For track type "J"



No. 14 x 2"
Pan Head Screw



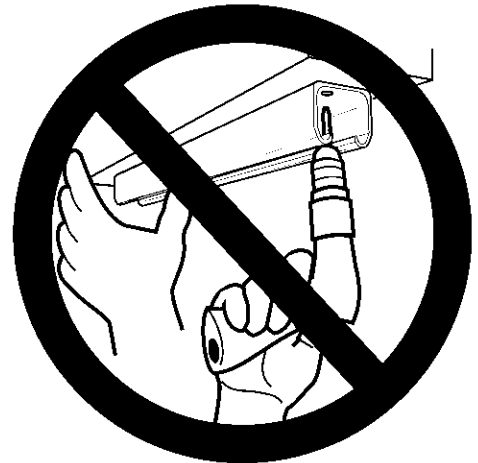
Should other screws or fasteners be used,
the head size must be no larger than

STEP 1

- A. One or more length of track may be required to fit the opening. Track may be cut with hacksaw to within 1/8"(3.175mm) of the opening width. Mark and pre-drill header to match holes in track.

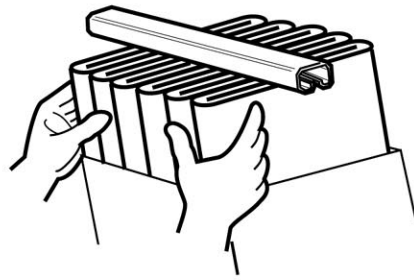
DO NOT DRILL THROUGH TRACK

Shavings and other foreign materials
in the track cause a poor operation



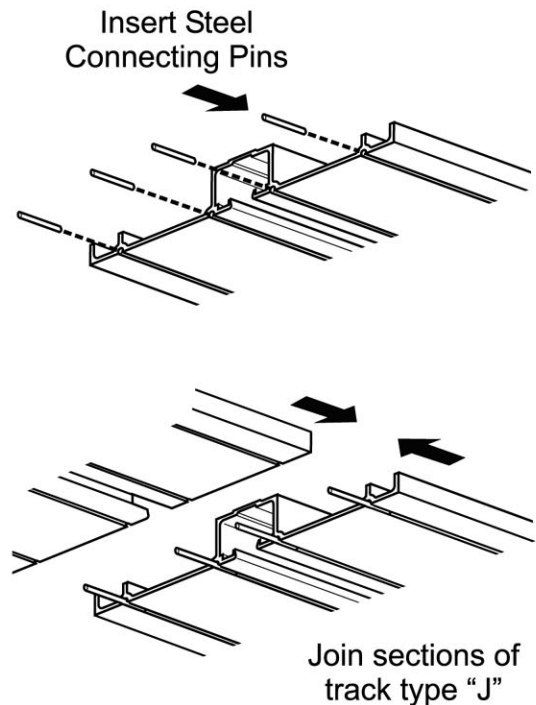
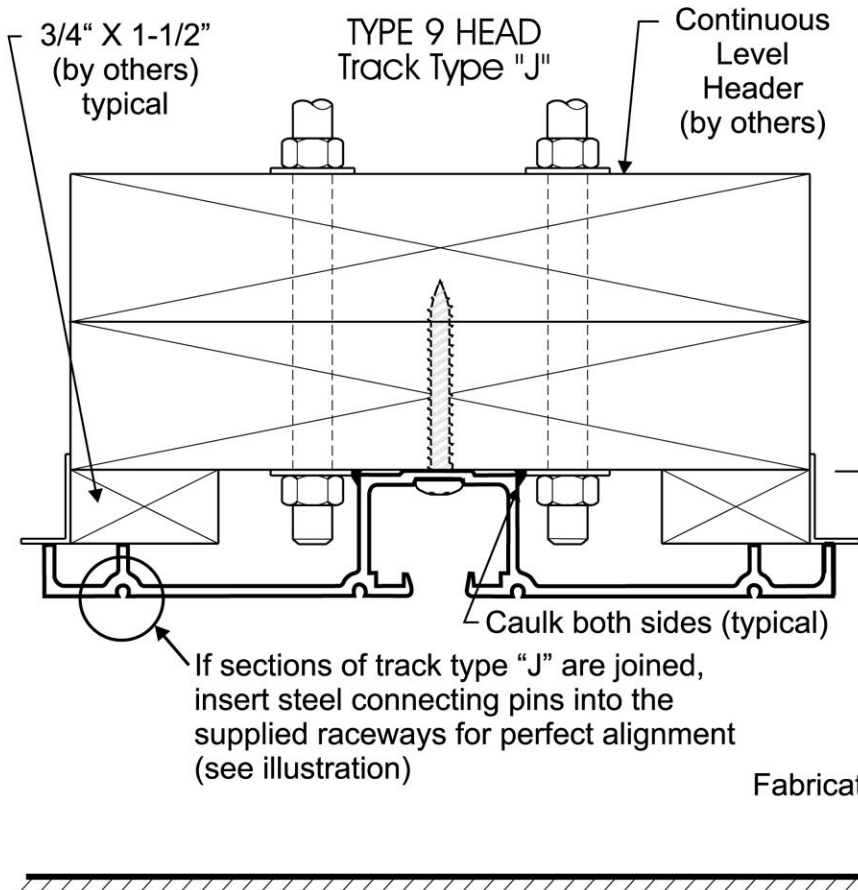
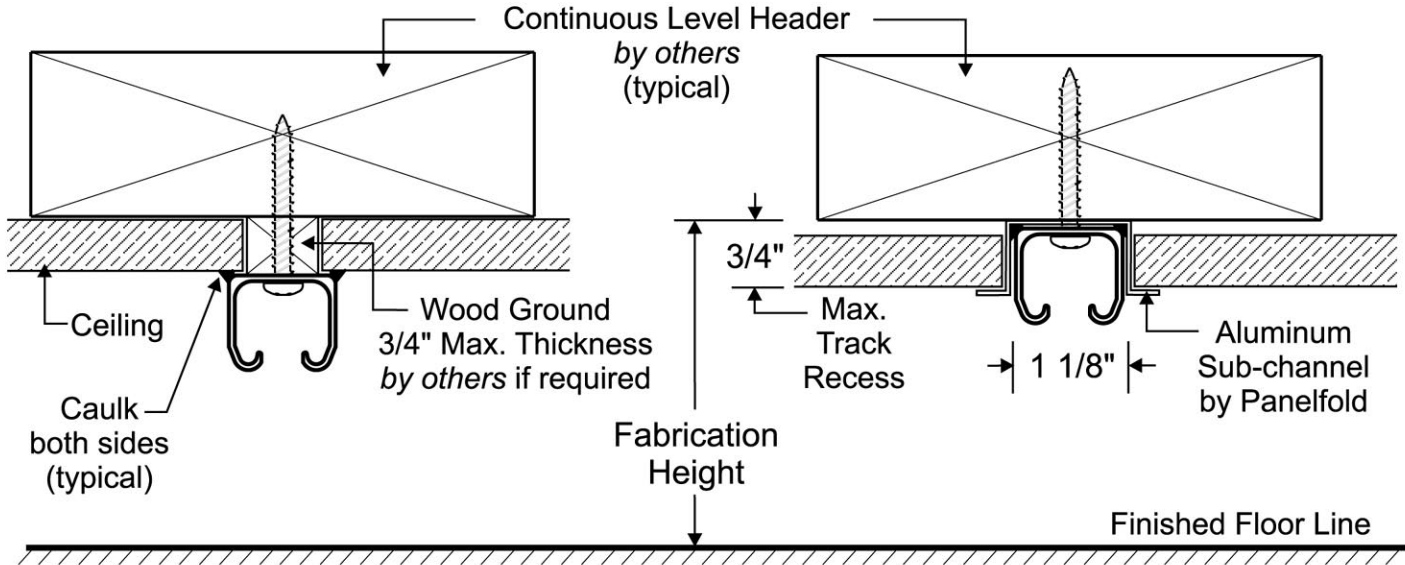
STEP 1 (cont'd)

B. **REMOVE END CAPS ONLY** from Fabricwal® crate. (Main crate must not be removed until Fabricwal® is suspended in track). Very carefully stand Fabricwal® on bottom with top wheels directly beneath track location.



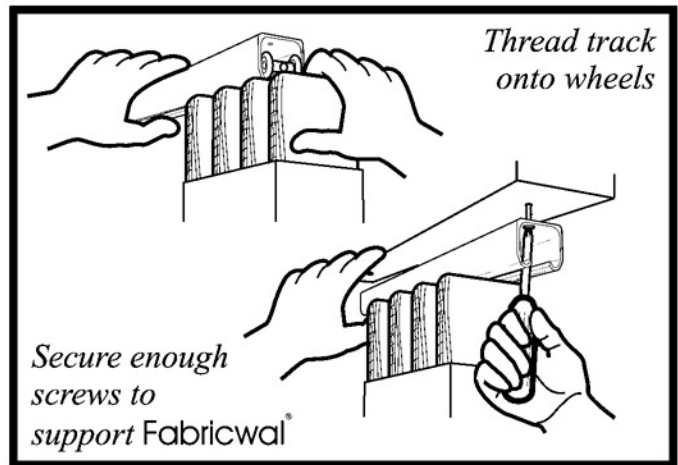
TYPE 1 HEAD
Track Type "A"
Surface Mounted

TYPE 3 HEAD
Track Type "A"
Recessed Mounted



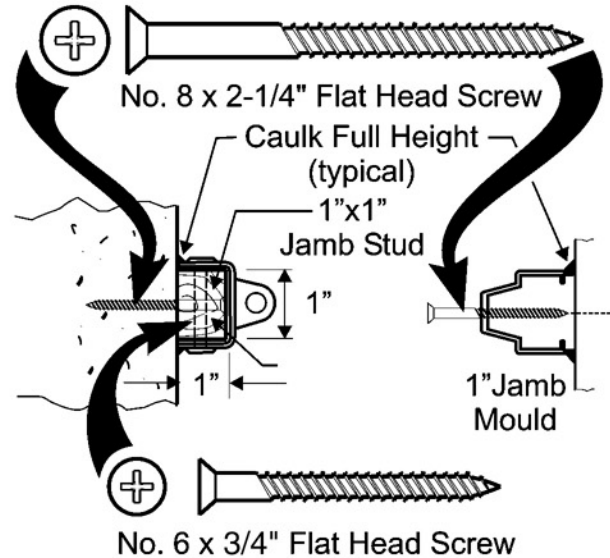
STEP 1 (cont'd)

- C. Thread track onto wheels and begin installing track screws at far end. Secure screws at far end. Secure enough screws to support Fabricwal[®] in a partially extended position. Remove remaining crate and inner packing. Very carefully move Fabricwal[®] to the secured portion of the track. Install the remaining screws in the track.



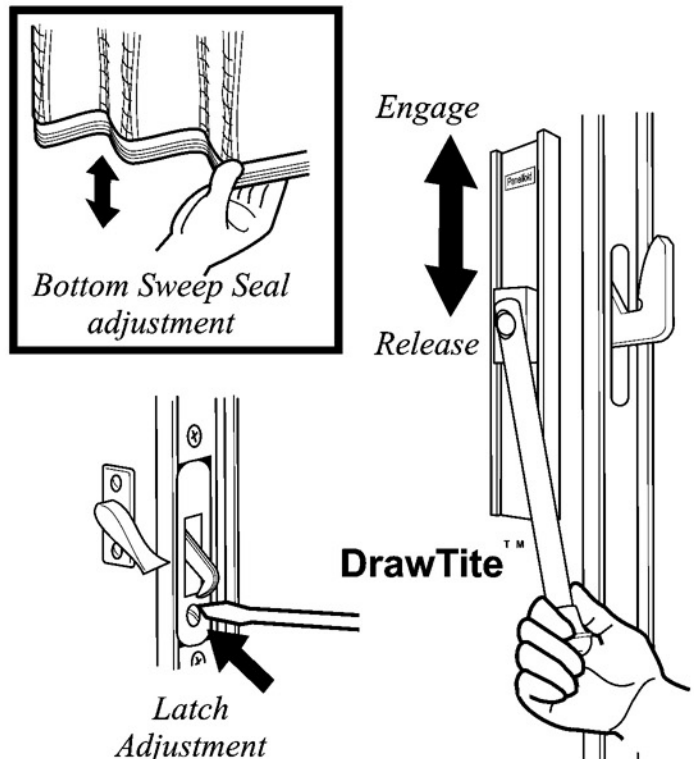
STEP 2

- A. Place jamb stud in a plumb position directly under track. Secure with No.8 x 2 1/4" flat head screws to jambs or finished wall. Caulk both sides at jambs.
- B. The bottom sweep seals (if furnished) may be adjusted for proper contact with floors across opening. To adjust, extend partition across opening. Pull down on the bottom sweep seal until it contacts evenly with the floor. **DO NOT OVER EXTEND.** Repeat procedure on the other side of partition.
- C. Carefully mate the jamb attaching post over the secured jamb stud. See that the jamb post is snug against the finished jamb. Secure with No.6 x 3/4" flat head screws.



STEP 3

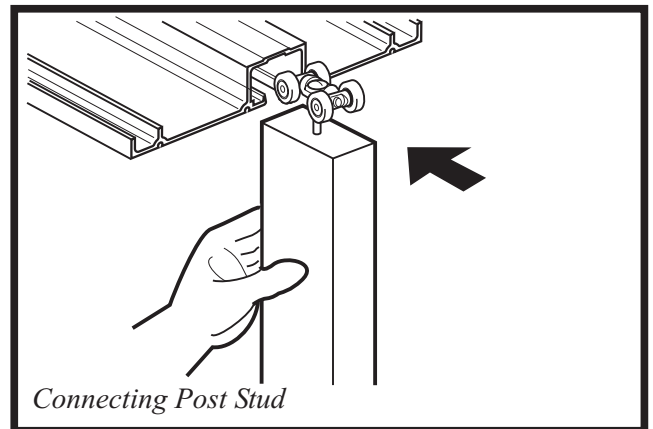
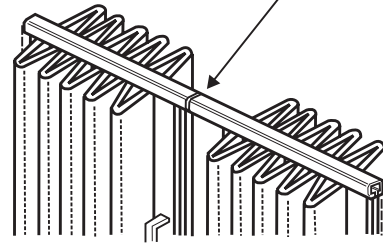
- A. Place jamb mould (for Single-Fixed Jamb or Double-End Post Partitions) in a plumb position directly under the track. Secure with No.8 x 2 1/4" flat head screws supplied and caulk both sides. **Note: Should it become necessary to shorten the jamb mould, cut off bottom only**
- B. Latch operation can be adjusted by turning the adjusting screw located in the leading edge of latch.
- C. Partitions over 10'-1" (3073.4mm) high may be supplied with a **DrawTite™** latch. It engages by pushing up on the **Gripull** handles and releases by pulling down on the handles.



SECTION 2 Installation of Double Partitions

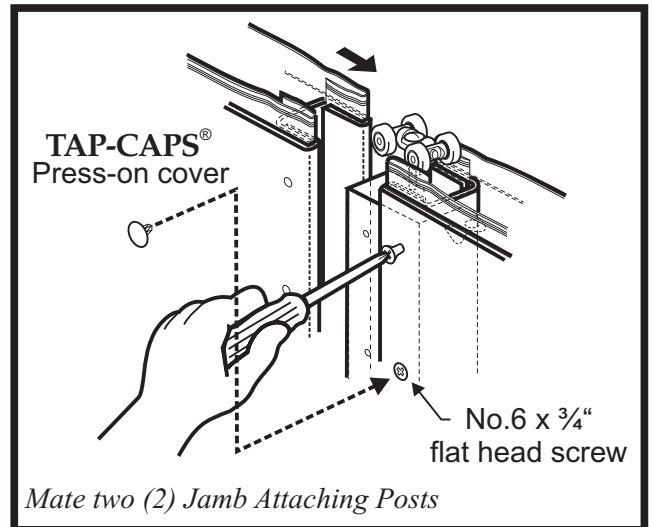
- A. Measure opening width and divide the result by two (2). Cut each track section 1/8" (3mm) shorter than measurement. This leaves room for screw "stop" when track is installed.
- B. Follow **STEPS 1A** and **1B** except placing both partitions opposing each other directly under one half of opening,
- C. Thread first half of track onto wheels of both partitions and begin installing track screws as in **STEP 1C**.
After securing all track screws in one half of track, install second half of track. Move second partition to second half of track. Set a screw at track center joint and leave projecting 1/2" (13mm) to "stop" wheels of either partition from traveling pass the joint.
- D. Follow jamb installation **STEP 2, SECTION 1**.

Insert Track Screw half way to provide a "stop" at the center of opening



SECTION 3 Assembly of Partitions Shipped in Sections

- A. If Fabricwal® partition comes in more than one crate it is necessary to assemble the sections. Follow **STEP 1A & 1B**.
- B. Thread track onto wheels of jamb section of partition followed by the wheels of the special connecting post stud and then onto End Post Section of partition. Secure enough screws to support Fabricwal® in partially extended position. Remove remaining crate and inner packing. Very carefully move Fabricwal® to the secured portion of the track. Install the remaining screws in the track.
- C. Mate the two (2) Jamb Attaching Posts of the joining sections of partition over the connecting post stud. Drill pilot holes into wood stud through the pre-punched holes in the steel jamb attaching post every 14" (356mm), both sides, with 7/64" bit. Secure with No.6 X 3/4" flat head screws with **TAB-CAPS®** covers provided.
- D. Follow **STEPS 2A, 2B & 2C, SECTION 1**.



PARTITION TRACK MUST BE THOROUGHLY LUBRICATED WITH LUBRIPLATE OR SIMILAR PRODUCT FOR EASY AND TROUBLE-FREE OPERATION

**CAUTION: NEVER STORE ON END
Keep in carton until ready to install**