

ACOUSTICAL FOLDING PARTITION

INSTALLATION INSTRUCTIONS - READ CAREFULLY

The acoustical effectiveness depends greatly upon surrounding construction and care of installation. Surrounding construction shall have a sound rating that equals or exceeds the sound rating of the Sonicwal®. All sides of the opening shall be prepared to a high degree of level and plumb.

Sonicwal® partitions are heavy; approx. weight 6.5 to 8.3 lbs per sq. ft (12.2 to 14.7 kg/m²). A header capable of supporting this weight without deflection must be provided by others. Also an adequate number of personnel and proper equipment must be provided for proper handling during installation.

Fabrication height is measured from finished floor (or floor covering) to header where Sonicwal® track will be secured. This measurement is critical and must be maintained across the entire opening width.

Job-Site measurement shall be carefully checked against fabrication height dimension shown on packing slip before proceeding.

Tools Required: Electric Drill, Phillips Head Screwdriver (bit), Hacksaw,
Flat Blade Screwdriver, Caulking Gun, 1/2" Stapler.

SECTION 1 Installation of Single Partitions

Partition track is pre-punched on
8" (203.2mm) centers for heights
thru **12'-1" (3683mm)**,
4" (101.6mm) centers for heights
over **12'-1" (3683mm)**



No. 12 x 1-3/4"
Pan Head Screw

Panhead sheet metal screws are furnished:

No. 12 x 1-3/4" for track type "A"

No. 14 x 2" for track type "C"

Should other screws or fasteners be used,
the head size must be not larger than those
furnished.



No. 14 x 2"
Pan Head Screw

STEP 1

- A. Mark and pre-drill header to match holes in track. Extreme care shall be taken to prevent shavings or any other foreign material getting into track.

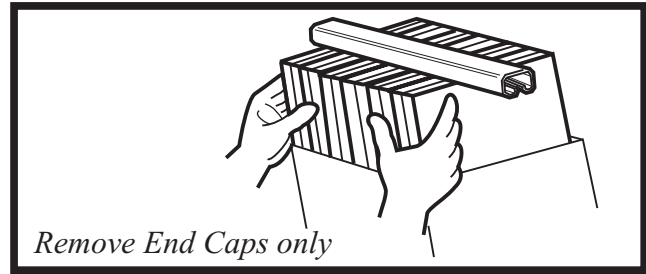
DO NOT DRILL THRU TRACK

If more than one track section is supplied, care must be taken where the two track ends meet to secure them to the header in precise alignment to assure smooth, trouble-free travel of the carriers.

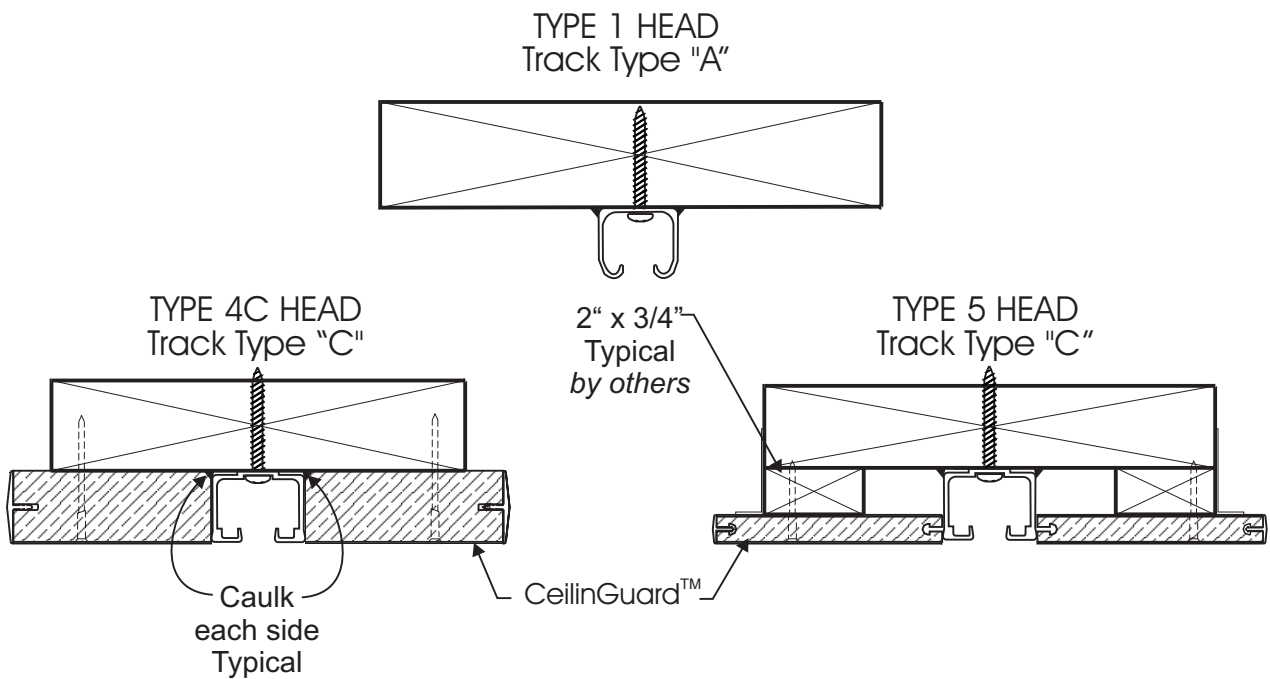
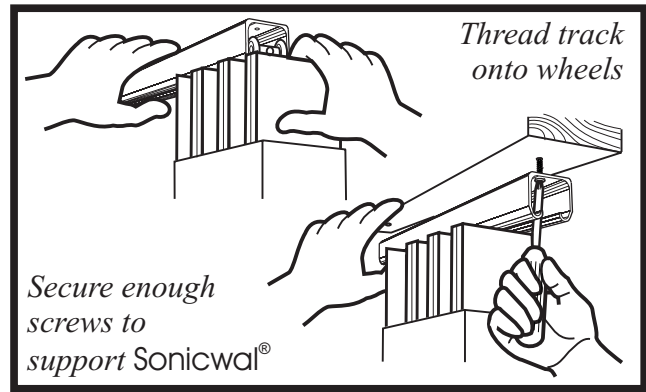


STEP 1(Cont'd)

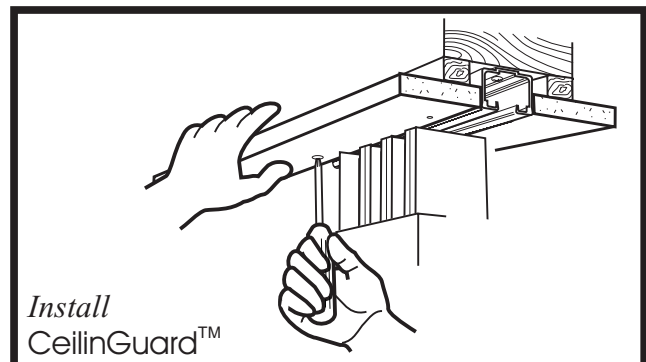
- B. **REMOVE END CAPS ONLY** from Sonicwal® crate. (Main crate must not be removed until Sonicwal® is suspended in track). Carefully stand Sonicwal® on bottom with top wheels directly beneath track location.



- C. Thread track onto wheels and begin installing track screws at far end. Secure enough screws to support Sonicwal® in a partially extended position. Remove remaining crate and inner packing. Very carefully move Sonicwal® to the secured portion of the track. Install remaining screws in track.



- D. In **Type 4C** heads install CeilinGuard® head trim at each side of track with No.8 x 2¼" flat head screws. Use No.6 x 1½" flat head screws for **Type 5** heads. Great care shall be taken to assure a level surface (no side tilt) for SonicSweep™ (sweep seal) material to contact without binding.



STEP 2

- A. Place jamb stud in a plumb position directly under track. Secure with No.8 x 2¼" flat head screws to jambs or finished wall.
- B. Carefully mate the jamb attaching panels with the secured jamb stud. See that jamb panels are snug against the finished jamb; then secure with No.6 x 1½" flat head screws.

STEP 3

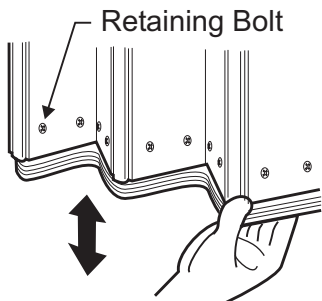
- A. Place jamb mould (for Single-Fixed Jamb or Double-End Post Partitions) in a plumb position directly under the track. Secure with flat head screws supplied.

Note: Should it become necessary to shorten the jamb mould, cut off bottom only

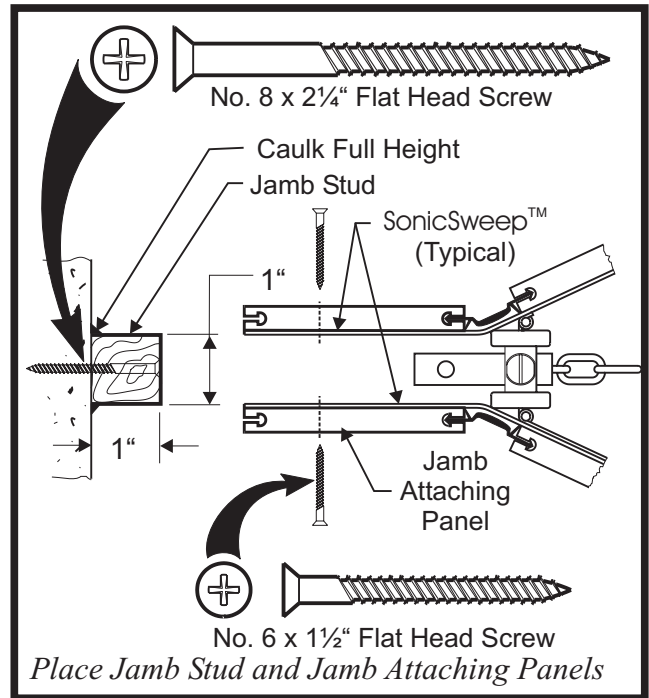
- B. Latch operation can be adjusted by turning the adjusting screw located in the leading edge of latch (See bottom figures).

STEP 4

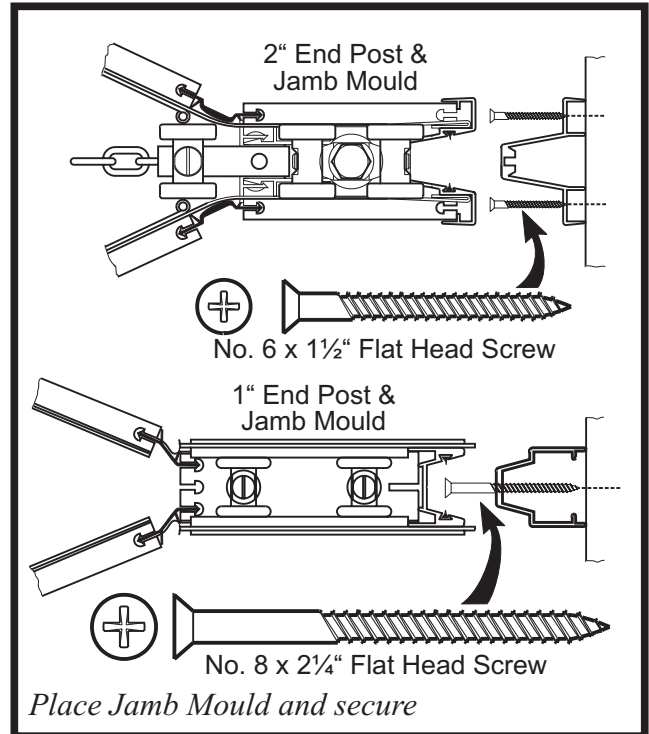
- A. Bottom SonicSweep™ may be adjusted for proper floor contact. To adjust, extend and latch partition. Loosen retaining bolts and pull down on bottom sweep seal until it contacts the floor evenly. **DO NOT OVER EXTEND.** Tighten retaining bolts. Repeat procedure on the other side of partition.



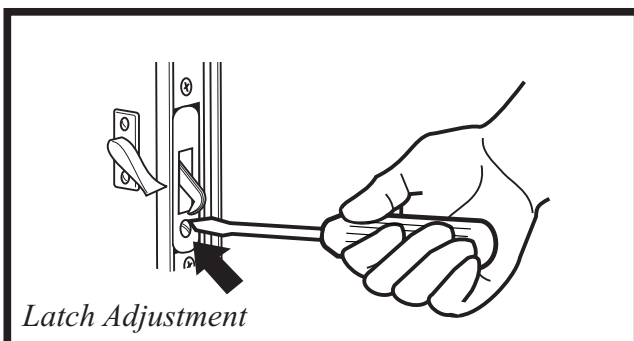
Bottom SonicSweep™ adjustment



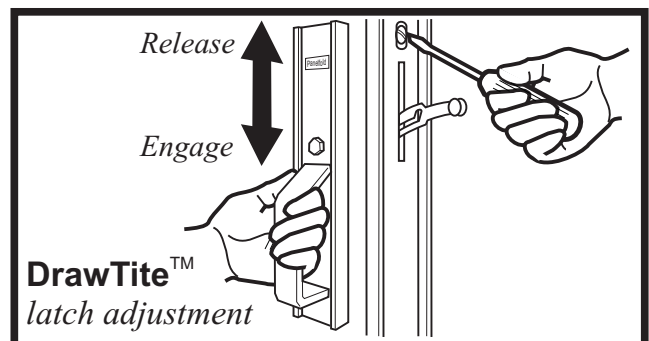
Place Jamb Stud and Jamb Attaching Panels



Place Jamb Mould and secure



Latch Adjustment



SECTION 2 Installation of Double Partitions

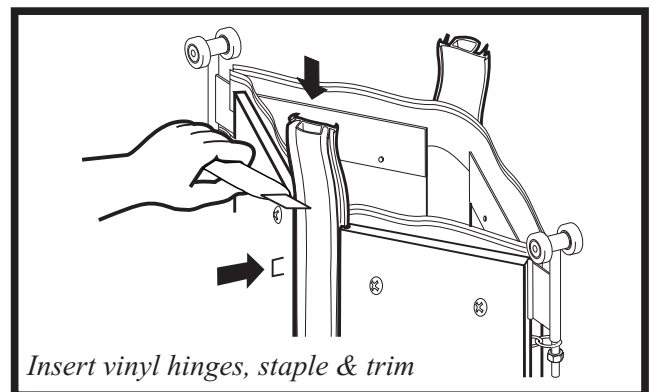
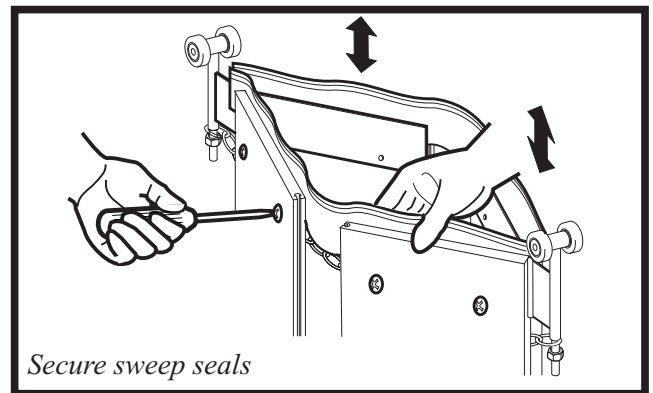
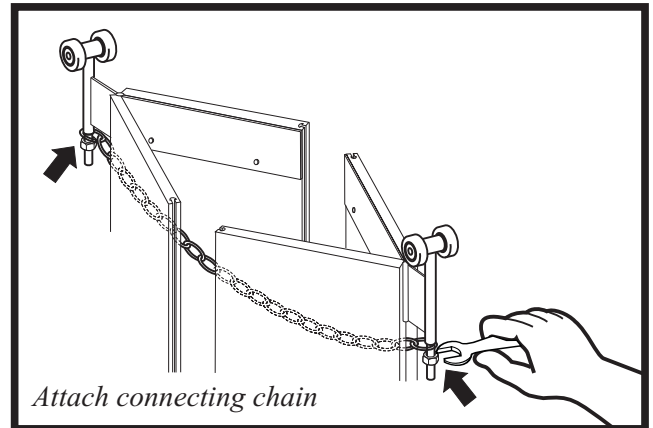
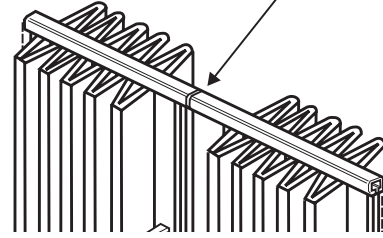
- A. Measure opening width and divide the result by two (2). Cut each track section 1/8" (3.175mm) shorter than measurement. This leaves room for screw "stop" when track is installed.
- B. Follow **STEPS 1A** and **1B** except placing both partitions opposing each other directly under one half of opening,
- C. Thread first half of track onto wheels of both partitions and begin installing track screws as in **STEP 1C**. After securing all track screws in one half of track, install second half of track. Move second partition to second half of track. Set a screw at track center joint and leave projecting 1/2" (12.7mm) to "stop" wheels of either partition from traveling pass the joint.
- D. Follow partition installation **Step 2**.

SECTION 3 Assembly of Partitions Shipped in Sections

- A. If Sonicwal® partition comes in more than one crate it is necessary to assemble the sections. Follow **STEP 1A**, **1B**, and **1C**, **STEP 2A & 2B**, **STEP 3A** and **STEP 4** for each of the sections. Then attach the chain connecting the sections.
- B. Secure the sweep seals top and bottom by loosening retaining bolts on both sides and inserting the sweep seals between support brackets and panels. Tighten bolts.
- C. Insert the dual-walled MemoryAction® vinyl hinges from the top into the grooves in the panel edges. Staple and trim.

**PARTITION TRACK MUST BE
THOROUGHLY LUBRICATED WITH
LUBRIPLATE OR SIMILAR PRODUCT
FOR EASY AND TROUBLE-FREE
OPERATION**

Insert Track Screw half way to provide a "stop" at the center of opening for Double Partitions



**CAUTION: NEVER STORE ON END
Keep in carton until ready to install**