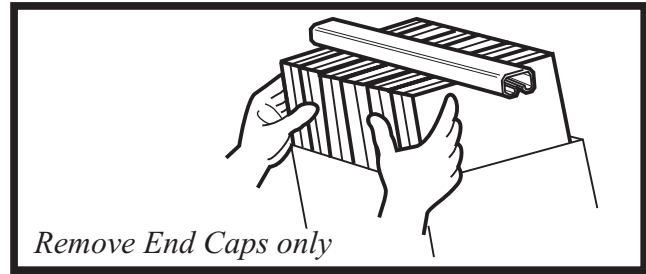
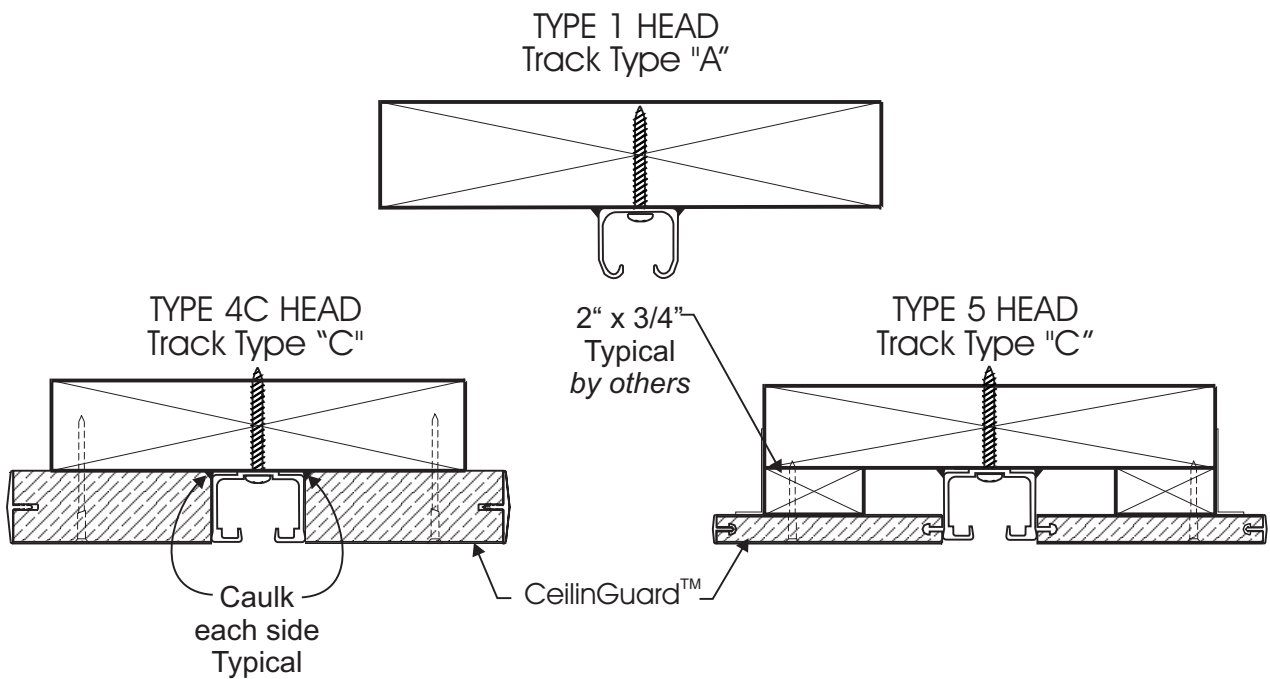
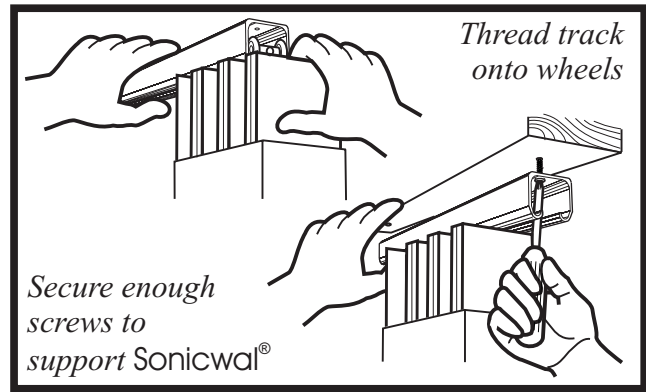


STEP 1(Cont'd)

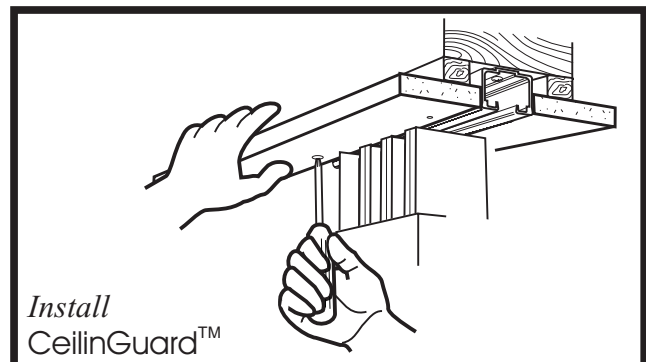
- B. **REMOVE END CAPS ONLY** from Sonicwal® crate. (Main crate must not be removed until Sonicwal® is suspended in track). Carefully stand Sonicwal® on bottom with top wheels directly beneath track location.



- C. Thread track onto wheels and begin installing track screws at far end. Secure enough screws to support Sonicwal® in a partially extended position. Remove remaining crate and inner packing. Very carefully move Sonicwal® to the secured portion of the track. Install remaining screws in track.



- D. In **Type 4C** heads install CeilinGuard® head trim at each side of track with No.8 x 2¼" flat head screws. Use No.6 x 1½" flat head screws for **Type 5** heads. Great care shall be taken to assure a level surface (no side tilt) for SonicSweep™ (sweep seal) material to contact without binding.



STEP 2

- A. Place jamb stud in a plumb position directly under track. Secure with No.8 x 2¼" flat head screws to jambs or finished wall.
- B. Carefully mate the jamb attaching panels with the secured jamb stud. See that jamb panels are snug against the finished jamb; then secure with No.6 x 1½" flat head screws.

STEP 3

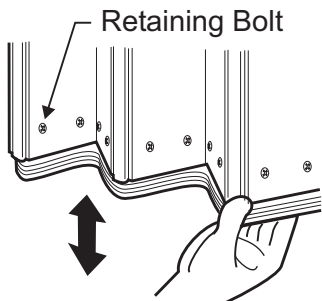
- A. Place jamb mould (for Single-Fixed Jamb or Double-End Post Partitions) in a plumb position directly under the track. Secure with flat head screws supplied.

Note: Should it become necessary to shorten the jamb mould, cut off bottom only

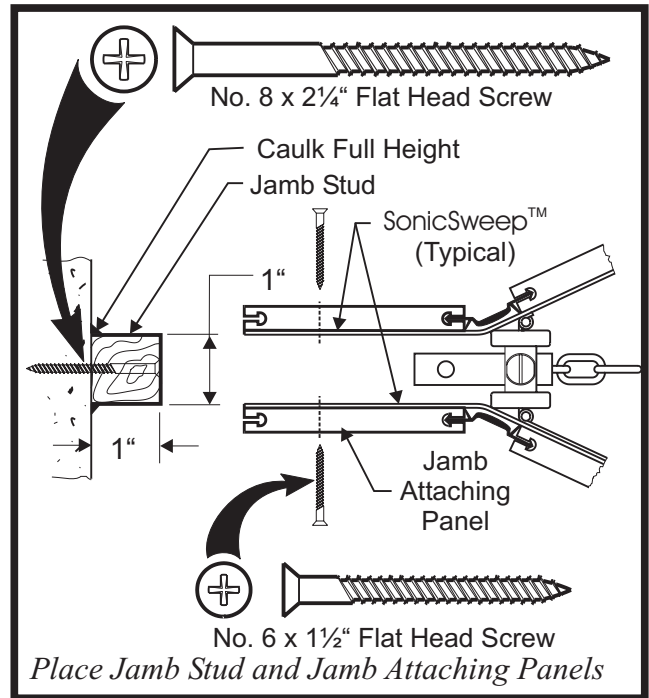
- B. Latch operation can be adjusted by turning the adjusting screw located in the leading edge of latch (See bottom figures).

STEP 4

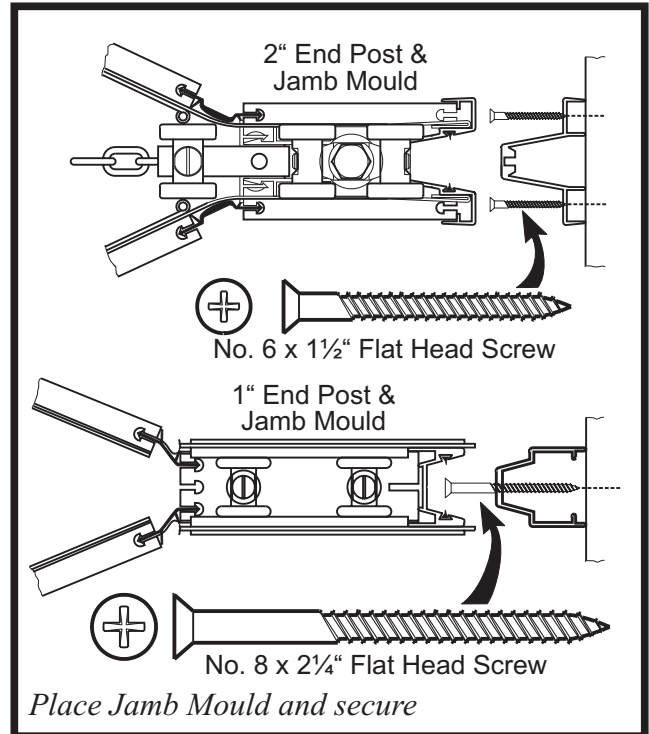
- A. Bottom SonicSweep™ may be adjusted for proper floor contact. To adjust, extend and latch partition. Loosen retaining bolts and pull down on bottom sweep seal until it contacts the floor evenly. **DO NOT OVER EXTEND.** Tighten retaining bolts. Repeat procedure on the other side of partition.



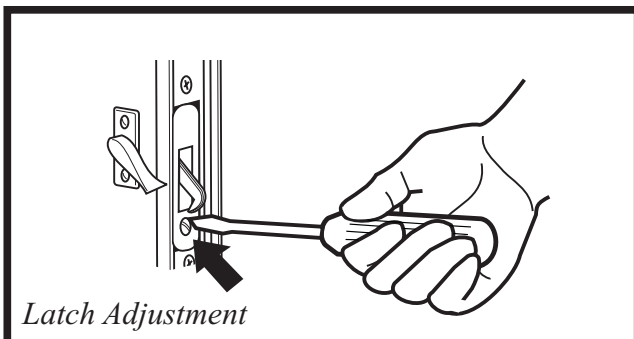
Bottom SonicSweep™ adjustment



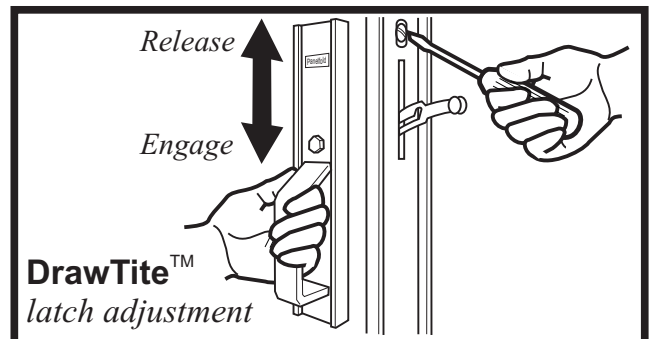
Place Jamb Stud and Jamb Attaching Panels



Place Jamb Mould and secure



Latch Adjustment



DrawTite™ latch adjustment

SECTION 2 Installation of Double Partitions

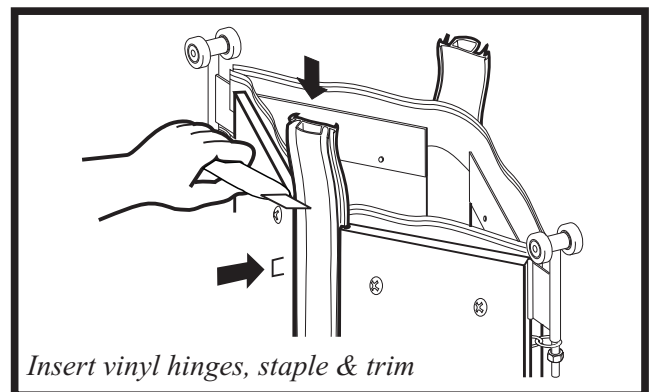
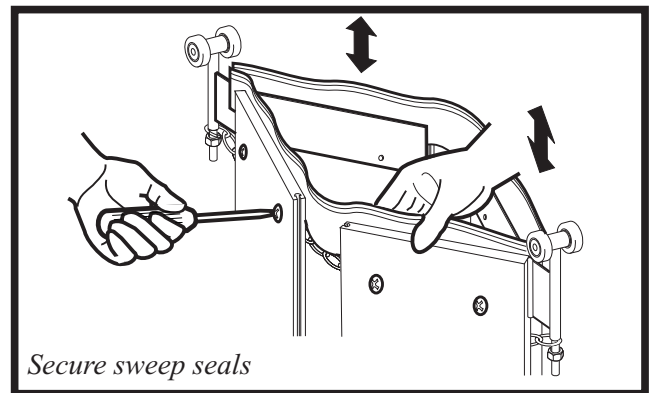
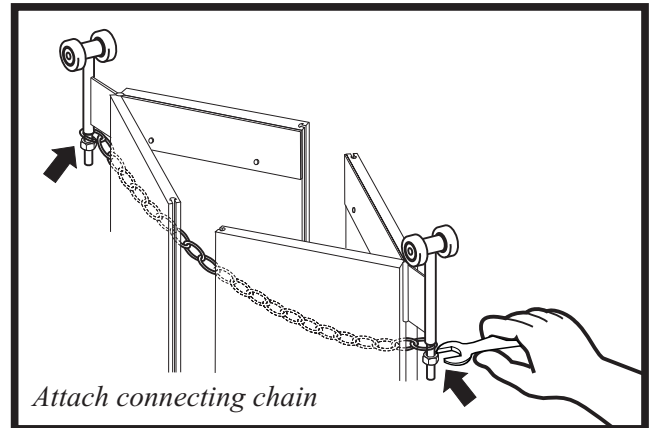
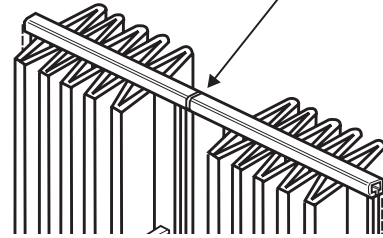
- A. Measure opening width and divide the result by two (2). Cut each track section 1/8" (3.175mm) shorter than measurement. This leaves room for screw "stop" when track is installed.
- B. Follow **STEPS 1A** and **1B** except placing both partitions opposing each other directly under one half of opening,
- C. Thread first half of track onto wheels of both partitions and begin installing track screws as in **STEP 1C**. After securing all track screws in one half of track, install second half of track. Move second partition to second half of track. Set a screw at track center joint and leave projecting 1/2" (12.7mm) to "stop" wheels of either partition from traveling pass the joint.
- D. Follow partition installation **Step 2**.

SECTION 3 Assembly of Partitions Shipped in Sections

- A. If Sonicwal® partition comes in more than one crate it is necessary to assemble the sections. Follow **STEP 1A**, **1B**, and **1C**, **STEP 2A & 2B**, **STEP 3A** and **STEP 4** for each of the sections. Then attach the chain connecting the sections.
- B. Secure the sweep seals top and bottom by loosening retaining bolts on both sides and inserting the sweep seals between support brackets and panels. Tighten bolts.
- C. Insert the dual-walled MemoryAction® vinyl hinges from the top into the grooves in the panel edges. Staple and trim.

**PARTITION TRACK MUST BE
THOROUGHLY LUBRICATED WITH
LUBRIPLATE OR SIMILAR PRODUCT
FOR EASY AND TROUBLE-FREE
OPERATION**

Insert Track Screw half way to provide a "stop" at the center of opening for Double Partitions



**CAUTION: NEVER STORE ON END
Keep in carton until ready to install**